



EXTRACTOR-J

Inline magnet for Jacob-pipework as well as after cyclones

- ✓ **For applications in the plastics industry with slow moving bulk material columns**
- ✓ **Easy handling and cleaning**
- ✓ **Great variety of application possibilities (exchangeable transition ring)**
- Outstanding magnetic power
- Highest magnetic performance with 8 000 gauss on the effective surface
- Stainless steel housing (AISI 304)
- Neodymium magnet rods in EASY CLEAN design
- Arranged in a triangular matrix
- Sturdy design
- Low installation height (165 mm)
- Options and accessories





Performance characteristics:

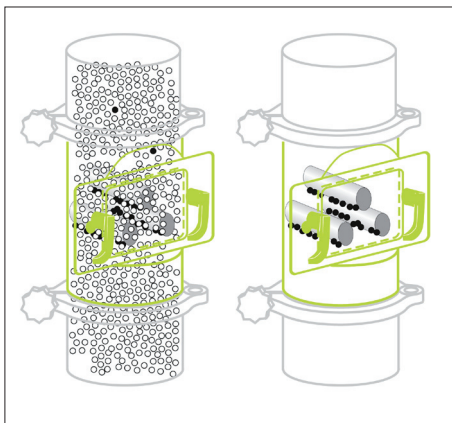
The EXTRACTOR-J magnet system is equipped with three magnet rods in Neodymium version which are arranged in a triangular matrix to ensure best possible contact between product and magnet. Its outstanding ease of handling and cleaning are further positive features of this magnet separator. A low installation height (165 mm) facilitate retrofitting. With its special design the EXTRACTOR-J does not allow any depositing of plastic granulate (which is important in case of a colour or material change).

Function:

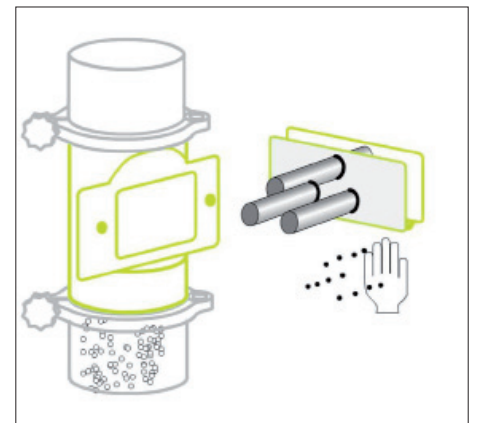
With a magnetic force of 8 000 gauss on the effective surface, ferromagnetic particles are reliably separated, which reduces costly repair work and system downtimes.

Typical applications:

The EXTRACTOR-J inline magnet was developed specifically for applications in the plastics industry. It is designed for inspecting different granulates up to a grain size of 8-10 mm at a temperature of up to 80° C in gravity fed lines or slow-moving material columns.



The inline magnet EXTRACTOR-J separates ferrous parts, e.g., after cyclone.



After the magnet matrix has been removed, the stainless steel tubes can be pulled off from the magnet cores – EASY CLEAN.